

# WATER MONITOR

## IFP-FIRESTORM

### Description

The monitor Model - IFP FIRESTORM is durable manual controlled monitor for fixed installation. The monitor is generally used for protection of flammable liquid storage tanks, loading racks, dykes marine and many other Industrial applications.

The Monitor possess several design features that provides ease of operation, minimum maintenance and resistance to normally destructive environments. The monitor fitted with solid bore straight stream nozzle.

The monitor has welded carbon steel water way. All steel parts are hot dip galvanized and painted for excellent corrosion resistance. The vertical and horizontal rotation is through corrosion resistant bronze swiveling joint with double row of stainless steel ball bearing. Both vertical and horizontal movements are controlled with handle with twist lock.

The monitor has large flow capability and can be manually operated by a single fire fighter. The design ensures to prevent jet reaction forces from effecting the horizontal and the vertical position of the monitor. The monitor has the ability for 360 deg. continuous horizontal rotation and angle of elevation is adjustable with fix stop from +90 deg. above horizontal to -45 deg. below horizontal.

The water vane in discharge tube reduces the turbulence and friction loss, thus increasing the nozzle performance to achieve greater range. To ensure desired performance, the friction loss through monitor must be considered while selecting the nozzle and the flow through the monitor with reference to available base pressure at inlet of the monitor. For flow and jet reach data refer table.



### Horizontal Straight Stream

Part Number	Monitor Size	Flow in lpm	Water Jet in metre
401050	63	1750	53
401051	75	2580	60
401052	100	3500	64

*Note:*

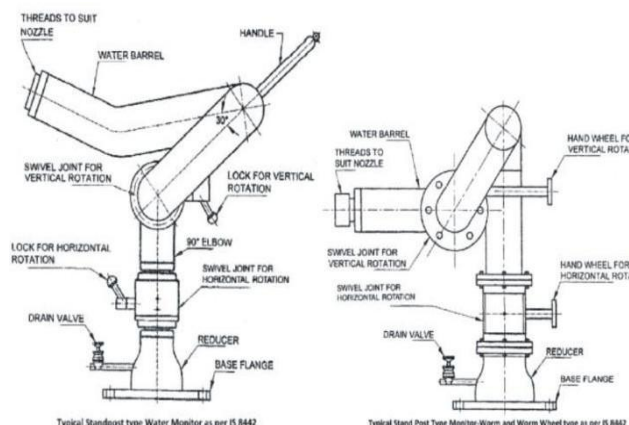
Horizontal Straight Stream range is in still air with nozzle elevation at 30° to inlet flange at 1 to 1.5 meters above ground level and at 7 kg./ Sq.cm. nozzle pressure.

### Approval

BIS marked as per IS:8442

## Materials of Construction

Parameters	Material
<b>Model</b>	IFP FIRESTORM 1750 IFP FIRESTORM 2580 IFP FIRESTORM 3500
<b>Base Flange</b>	Mild Steel, IS 2062/Stainless Steel
<b>Drain Valve</b>	Stainless Steel
<b>Swivel Joint</b>	Bronze IS:318/ Gun Metal LTB-2
<b>Lock Nut</b>	Brass IS:291-I/ Gun Metal LTB-2
<b>Handle</b>	Mild Steel IS : 1732
<b>Water Barrel</b>	Mild Steel IS:11428/Stainless Steel
<b>Nozzle</b>	Aluminum Alloy/Stainless Steel



## Technical Data (±5%)

Model	IFP FIRESTORM 1750	IFP FIRESTORM 2580	IFP FIRESTORM 3500
<b>Part Number</b>	401050	401051	401052
<b>Maximum rated</b>	12 bar (175 psi)	12 bar (175 psi)	12 bar (175 psi)
<b>Nominal waterway</b>	63 mm	75 mm	100 mm
<b>Size</b>	63 mm	75 mm	100 mm
<b>Flow at 7 kg / cm<sup>2</sup> pressure</b>	1750 lpm	2580 lpm	3500 lpm
<b>Factory Hydrostatic Test Pressure</b>	25 kg / cm <sup>2</sup>	25 kg / cm <sup>2</sup>	25 kg / cm <sup>2</sup>
<b>Inlet flange size</b>	80 NB/100 NB	100 NB	100 NB/150 NB
<b>Nozzle</b>	Straight stream nozzle/ Jet-Spray nozzle	Straight stream nozzle	Straight stream nozzle
<b>Colour</b>	Fire Red Shade 536 of IS 5 : 1961 painted from outside	Fire Red Shade 536 of IS 5 : 1961 painted from outside	Fire Red Shade 536 of IS 5: 1961 painted from outside
<b>Horizontal rotation</b>	360 Deg. continuous	360 Deg. continuous	360 Deg. continuous
<b>Approval</b>	BIS marked	BIS marked	BIS marked

## Ordering Information

Part Number	Model	Weight (kg)
401050	IFP FIRESTORM 1750	30
401051	IFP FIRESTORM 2580	40
401052	IFP FIRESTORM 3500	69

## Integrated Fire Protection Pvt. Ltd.

Corporate Office:

Siddha – Esplanade, Room 1105

6 Jawaharlal Nehru Road, Kolkata – 700013, India

Phone : +91 33 24541061, 24755634 | Fax : +91 33 2476 1107 | E-mail : [info@integratedfire.net](mailto:info@integratedfire.net) | Web : [www.integratedfire.net](http://www.integratedfire.net)

Registered Office:

60A, Pandit M M Malabya Sarani

Chakraberia Rd (N), Kolkata - 700 020 INDIA